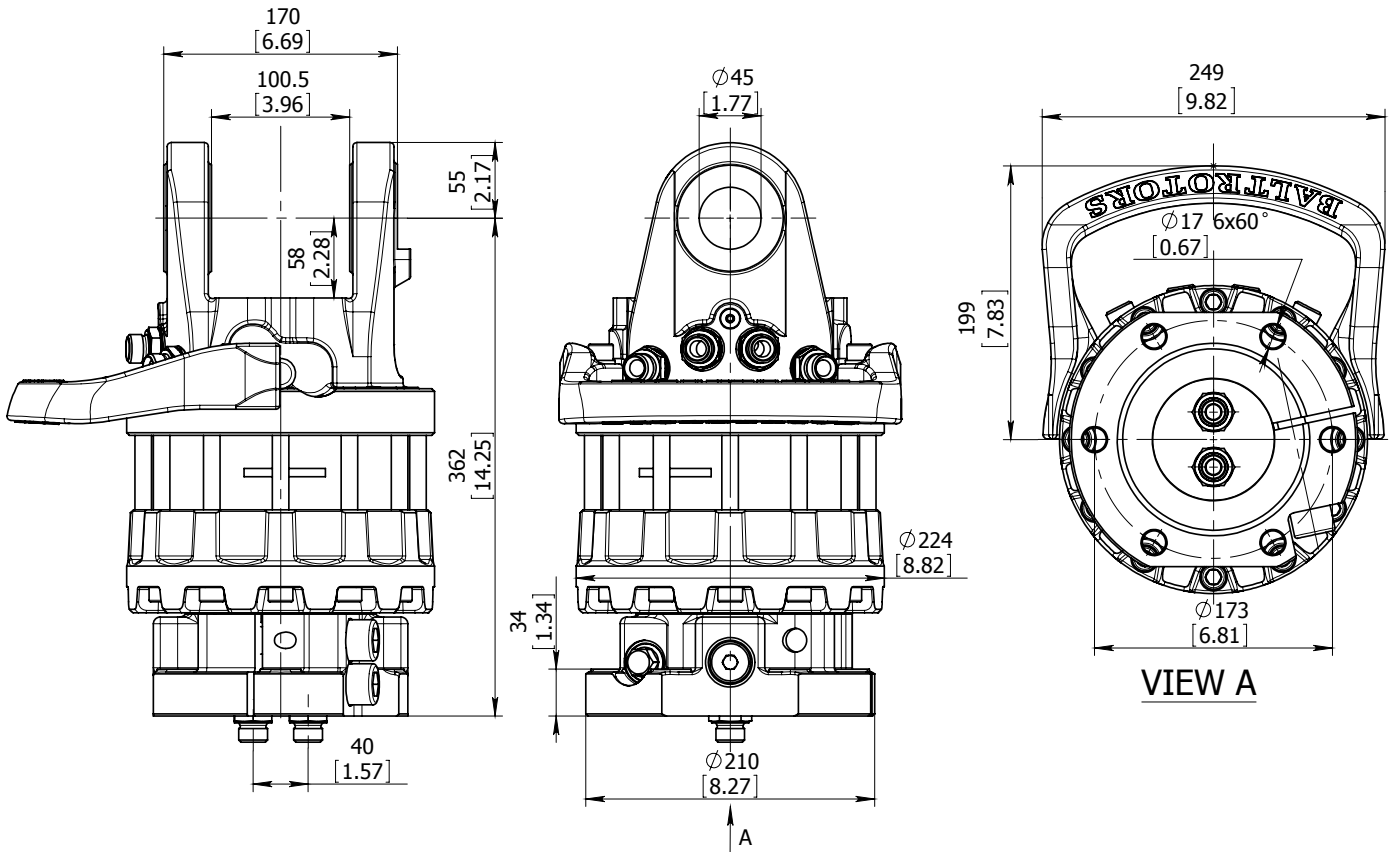


# ROTATOR GR12S



## Technical data

|                                       |                              |
|---------------------------------------|------------------------------|
| Rotation                              | Unlimited                    |
| Max axial load static, KN (lbf)       | +120 (26982)<br>- 90 (20236) |
| Max axial load dynamic, KN (lbf)      | +60 (13491)<br>- 45 (10118)  |
| Torque at 25Mpa (3625psi), Nm (lb ft) | 2900 (2139)                  |
| Rec oilflow, l/min (US gallon)        | 35 (9.25)                    |
| Weight, kg (lb)                       | 70 (154)                     |

## Max working pressure:

|                      |                                  |
|----------------------|----------------------------------|
| Rotator              | <b>←R→</b> Max 25 MPa (3625 psi) |
| Grapple / Tool open  | <b>←G→</b> Max 30 MPa (4350 psi) |
| Grapple / Tool close | <b>→G←</b> Max 30 MPa (4350 psi) |

## Connection:

|        |
|--------|
| G 1/2" |
| G 1/2" |
| G 1/2" |

