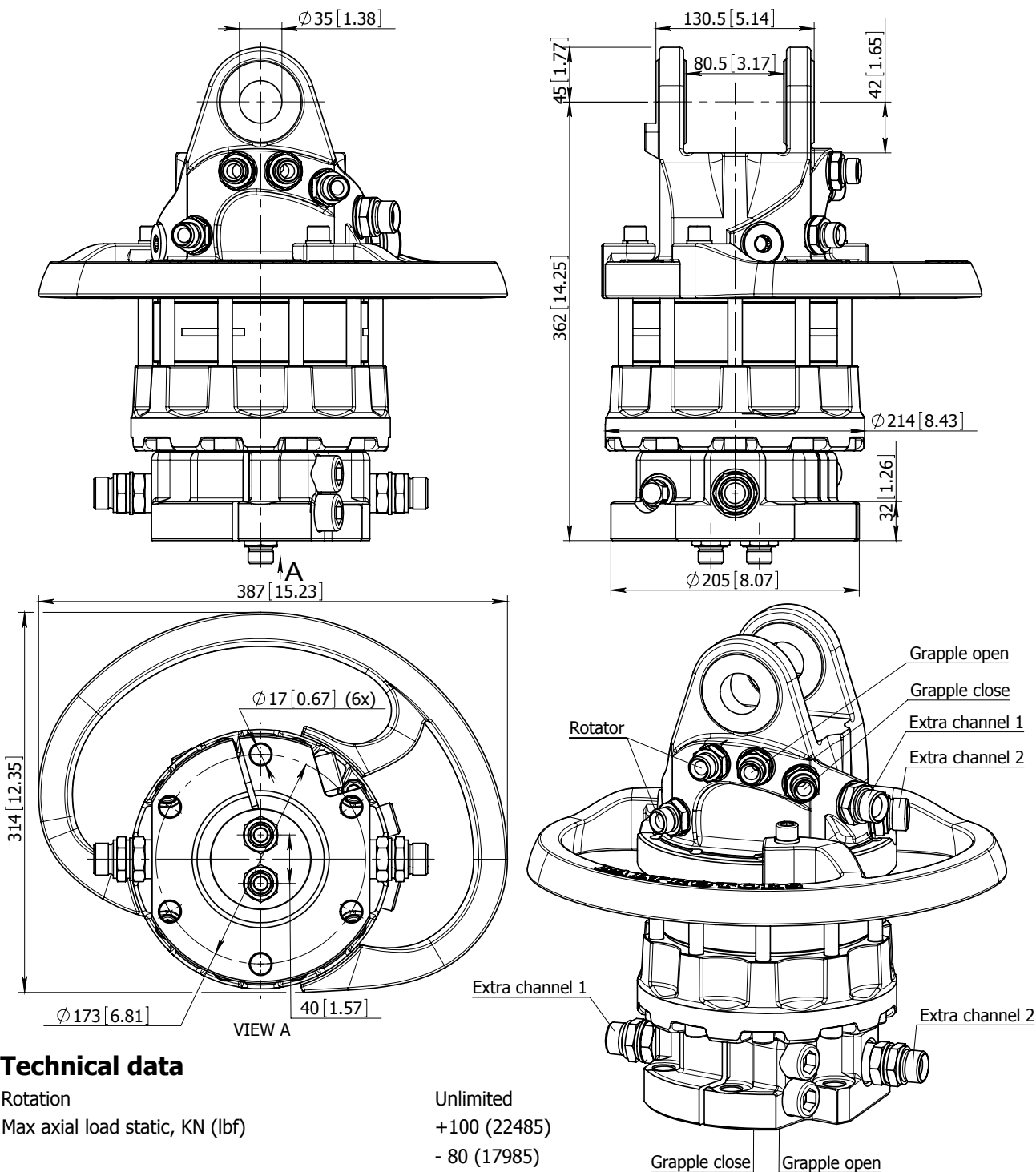


ROTATOR GRS10



Technical data

Rotation	Unlimited
Max axial load static, KN (lbf)	+100 (22485)
	- 80 (17985)
Max axial load dynamic, KN (lbf)	+50 (11242)
	- 40 (8992)
Torque at 25Mpa (3625psi), Nm (lb ft)	2500 (1844)
Rec oilflow, l/min (US gallon)	30 (7.9)
Weight, kg (lb)	64 (142)

Max working pressure:

Rotator	←R→ Max 25 MPa (3625 psi)
Grapple / Tool open	←G→ Max 20 MPa (2900 psi)
Grapple / Tool close	→G← Max 30 MPa (4350 psi)
Extra oil function	1 2 Max 30 MPa (4350 psi)

Connection:

G 1/2"
G 1/2"
G 1/2"
G 3/4"